

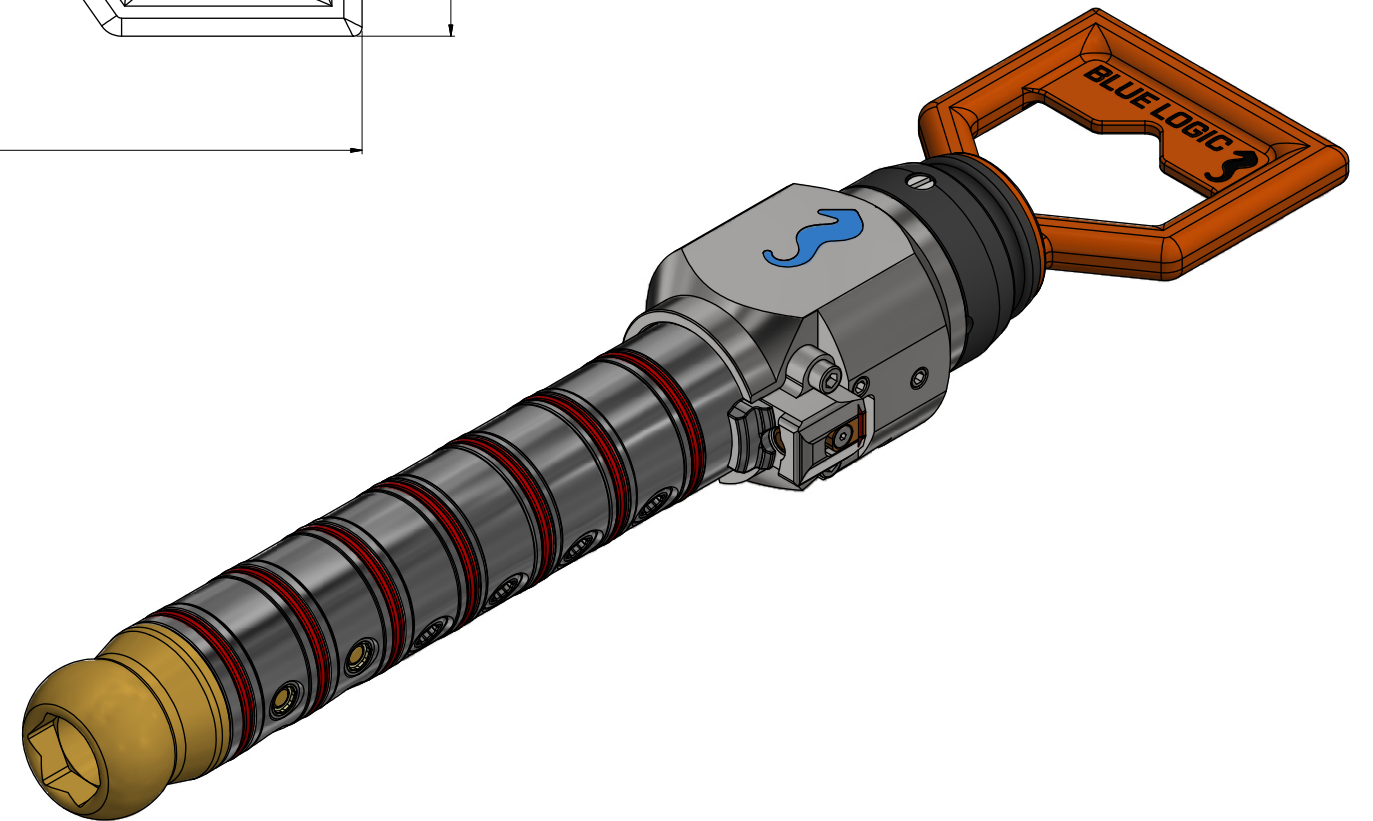
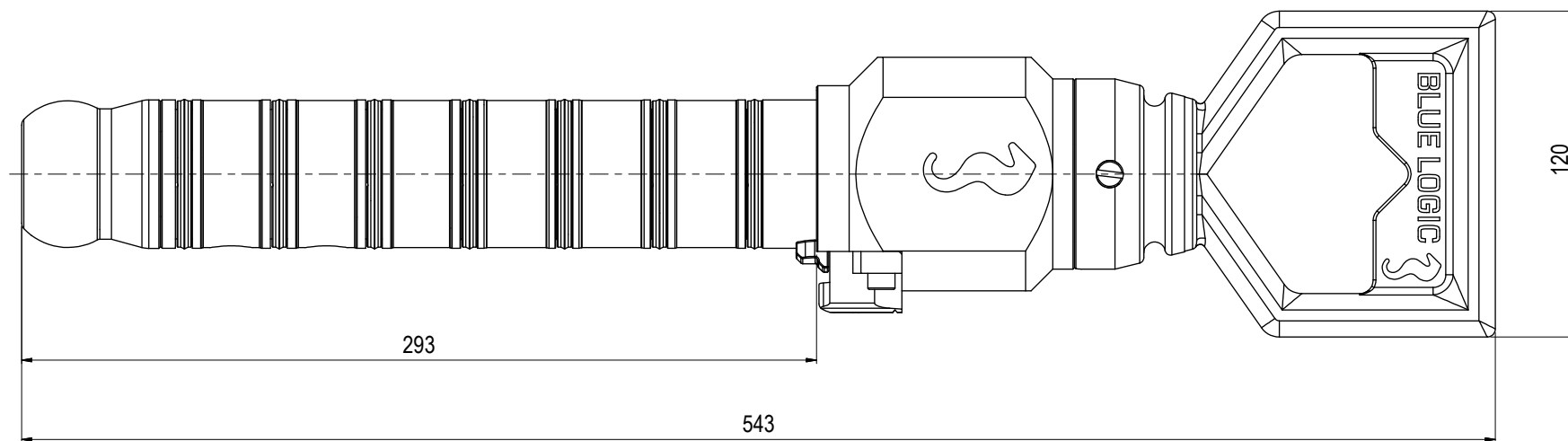
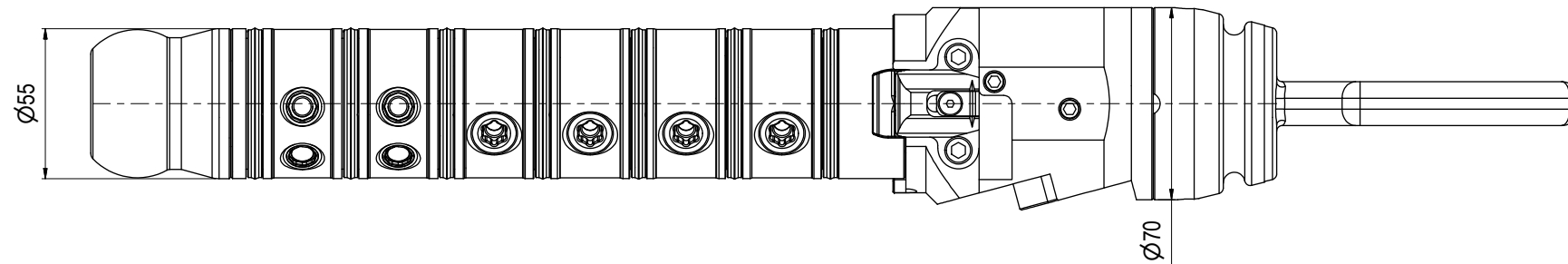
NOTE: 1
 DESIGN CODE:
 NS-EN 13445

NOTE: 2
 TECHNICAL CLASSIFICATION:
 Article Type: 003-Valve Stabs
 Main Group: 3.03. Ø55-Valvestab
 Intermediate Group: 3.12.01. Stab
 Sub Group: 3.12.32.6. Hexa

NOTE: 3
 INTERFACE INFORMATION:
 Pressure Rating Bar: 690
 Design Water Depth:
 Material: Intervention
 Weight: 8,7 kg
 Volume: 1,21 dm³
 Submerged Weight: 7,47 kg
 Surface Area: 3388 cm²
 Hydraulic: 3/8" BSP
 Mechanical: N/A
 Electrical: N/A
 Com. & Protocol: N/A

NOTE: 4
 SPAREPARTS:
 BB1689

NOTE: 5
 ADDITIONAL INFORMATION:
 Note!
 This VStab is only compatible with hexa port Vstab receptacles. Mating of Vstabs and Vstab receptacles with different number of ports may cause injuries, equipment damage and spill of fluid.



14	1.10.2024	9-IFU (Issued for Use)		WTJ	HNJ	WTJ
13	1.2.2022	9-IFU (Issued for Use)		WTJ	HNJ	WTJ
12	16.11.2021	9-IFU (Issued for Use)		WTJ	LGH	WTJ
11	19.6.2020	2-IFT (Issued For Tender)		WTJ	LGH	WTJ
Rev.	Date	Reason for issue	Revision change	Made	Chk'd	Appr.



Dwg Scale:	NTS
Dwg Proj:	
Dwg Format:	A3

Drawing title:	Ø55 HP VStab 10k Interv wCV BSP 3/8"	
Drawing number:	BA1935	Rev. 14